



VALLEMAGGIA
the magic valley

Vallemaggia Turismo
CH 6673 Maggia
Tel. +41 91 753 18 85
Fax +41 91 753 22 12
info@vallemaggia.ch

Church Mogno

Church Mogno

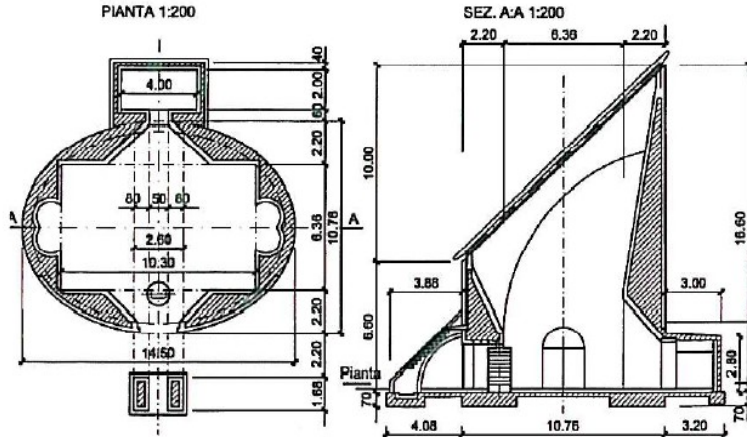
New church of St. John the Baptist

Plan: Architetto Mario Botta
Mogno–Fusio, Cantone Ticino, 1986–1996

In this plan the act of “building”, seen as the expression of human hard work and of his attachment to the land, goes together with the emotional reaction for the devastating charge of nature; the avalanche which in April 1986 destroyed part of the villane of Mogno, as well as its old little church.

The image of the trendous fall emerges again in the clean inclined cut of the boundary walls of the church constricting the internal space and obliging it to widen out towards the sky through the skylight–roof.

www.gld-dazio.ch



Original Url <http://www.magicvalley.ch/magic/22,1181310771/en/>